



Explanation of Operation- / Failure conditions (valid of serial no. 663):

Operation- / failure conditions	Controller					Fault indication		
	Controller 7-segment-display	Status LED Controller	Alarm	Alarm reset	Output (SSR)	Group fault alarm with relay	Group fault alarm relay terminals 3-4	Group fault alarm relay terminals 3-5
Controller / internal solid stat relay ON	①	②					⑥	⑥
Controller / internal solid stat relay OFF		○						
Controller Low temperature Alarm (T2)		●						
Pt100 Controller; line break	„UUU“ flashes	○	YES	automatic ⁽¹⁾	ON or OFF			
Pt100 Controller; line break sense wire	„ UU“ flashes	○	YES	automatic ⁽¹⁾	OFF			
Pt100 Controller; short-circuit	„- -“ flashes	○	YES	automatic ⁽¹⁾	OFF			
Pt100 Controller; Sensor line > 22 Ohm	Temp. value flashes	○	YES	automatic ⁽¹⁾	OFF			
Overtemperature of the device	OFF	○	NO	-				
Missing supply voltage	OFF	○	NO	-				

Explanation:

● or ● = LED illuminated /

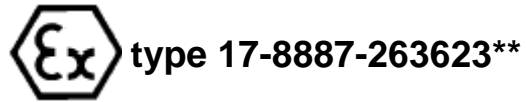
○ = LED non illuminated

⁽¹⁾ = automatic means:

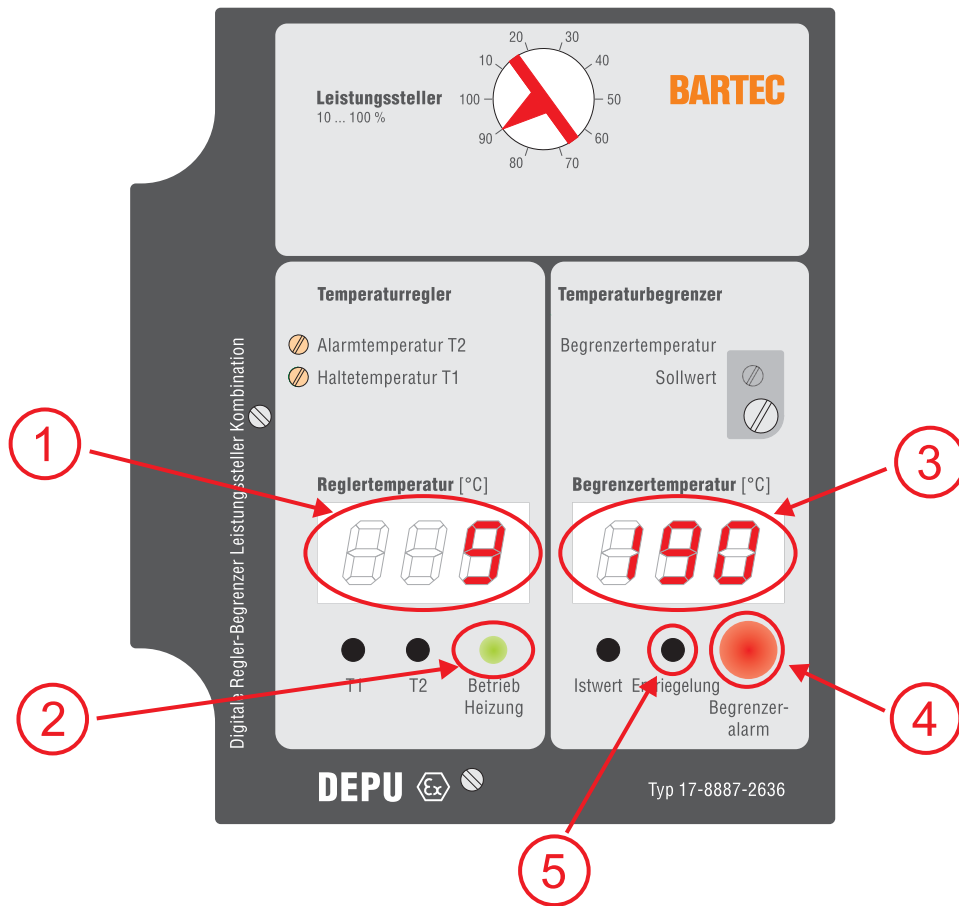
The RESET of the group fault alarm, the indication via display and LED will cleared without to press any RESET button, if the reason of the failure is removed (for example the Pt 100 has been exchanged).

Operation- / failure conditions	Limiter					Fault indication		
	Limiter 7-segment-display	Status LED Limiter	Alarm	Alarm reset	Output (Power relay)	Group fault alarm with relay	Group fault alarm relay terminals 3-4	Group fault alarm relay terminals 3-5
Limiter; temperature increases set point	③	④		⑤			⑥	⑥
Pt100 Limiter; line break	„UUU“ flashes	●	YES	by hand	OFF			
Pt100 Limiter; line break sense wire	„ UU“ flashes	●	YES	by hand	OFF			
Pt100 Limiter; short-circuit	„- -“ flashes	●	YES	automatic ⁽¹⁾	OFF			
Pt100 Limiter; Sensor line > 22 Ohm	Temp. value flashes	●	YES	automatic ⁽¹⁾	OFF			

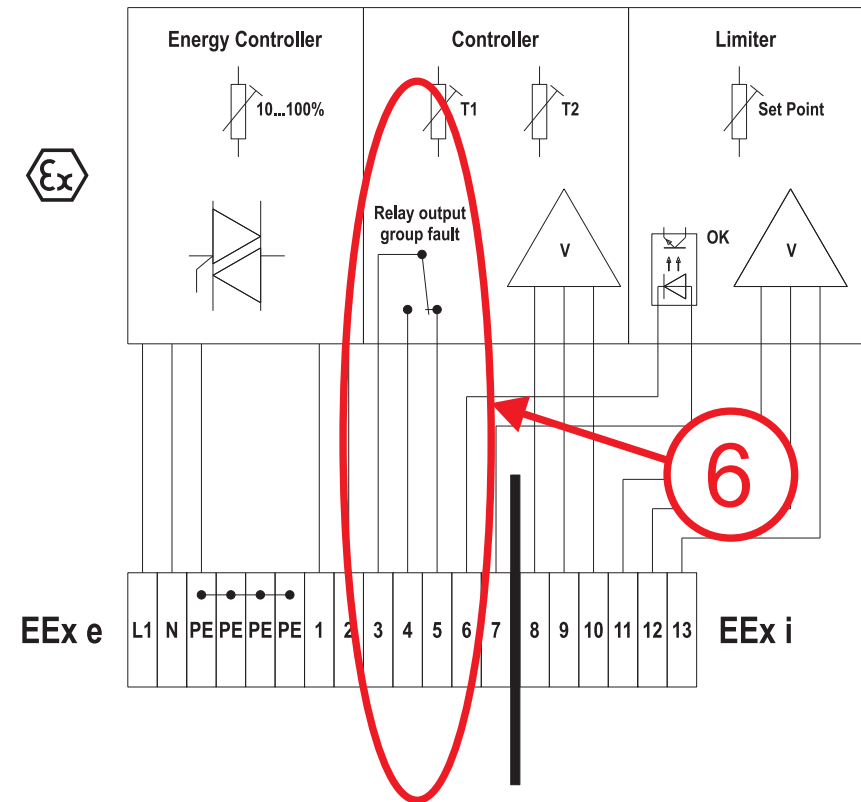
If you have any further questions, please do not hesitate to contact us under the telephone number + 49 7931 597-352 or under the fax number + 49 7931 597-183.



Front panel:



Structure diagram:





type 17-8887-263623**

CE 0044

Front panel:

