



EEx de Flashing lamp

Features

- 5 J flash energy
- long life of the light tube
- maintenance-free
- compact design
- very sturdy
- low power demand due to high lamp efficiency
- easy installation

Description

Plant and machinery are fitted with visual alarms to give timely warning of dangerous situations and to enable machinery to be shut down before damage occurs.

BARTEC flashing lights for hazardous areas have a flash energy of 5 joule. The flash intensity, whether viewed directly or indirectly, gives an ideal means of attracting attention. BARTEC's flashing lamps provide information, warnings and alarms on machinery and plant in explosion-endangered areas in zone 1 and zone 2. They can likewise be deployed in offshore applications and in zone 22.

Function

The flashing lamp is made of an aluminium EExd enclosure with a dome made of Borosilikal glass. The electrical connection to be done to EEx e terminals via a M20 x 1.5 plastic cable gland or metal cable gland. External earth available.

Explosion protection

Ex protection type

II 2G EEx de IIC T6

Certification

PTB 00 ATEX 1013

Technical data

Protection class

IP 65 according to IEC 60529

Enclosure material

Aluminium, powder coated with hardened glass dome

Electrical data

Rated voltage

AC 230 V $\pm 10\%$
DC 24 V

Flash energy

up to 5 Ws

Flash frequency

0.5 Hz up to 1.0 Hz

ON time

continuous rating (100 % ED)

Activation

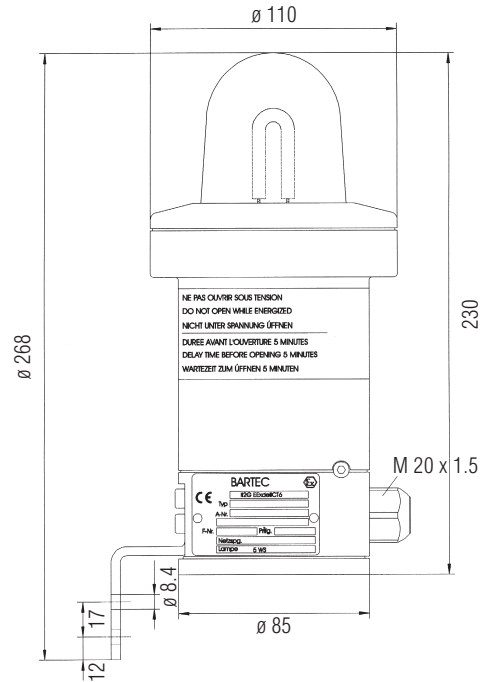
by connecting with the rated voltage

Ambient temperature range

-20 °C to +40 °C



Dimensions



Selection chart

Description	Code no.
Flashing lamp AC 230 V, 5 Ws, < 33 W, dome colour yellow	13
Flashing lamp AC 230 V, 5 Ws, < 33 W, dome colour red	14
Flashing lamp DC 24 V, 5 Ws, < 15 W, dome colour yellow	83
Flashing lamp DC 24 V, 5 Ws, < 15 W, dome colour red	84



Complete order no. 07-4838-33



Please enter code number.