



## ComEx control stations

### Features

- 3 standard enclosures
- Easy to install
- Extremely flexible
- Customer - tailored solutions

### Description

#### The ComEx program

ComEx is a flexible system offering standard as well as customer-specific local control and indicating units.

You have the choice between three standard enclosures which can accommodate up to three different control and indicating devices. Combinations of up to three ComEx enclosures are possible.

Either stuffing box glands in M20 x 1.5 and M25 x 1.5 made of plastic or cable glands made of metal are available for the electrical connection. The plastic glands require no lock nuts. Metal glands are screwed into a metal earth plate sheet inside of the enclosure. Maximum amount of cable glands: two off.

To ensure easier operation on site, each enclosure can be equipped with an individual info-label.

#### Fully preassembled ComEx units

On the following pages you will find our complete range of fully preassembled ComEx units, available immediately. The units are equipped with 1 to 3 elements. Standard cable entries are plastic glands type M 20 x 1.5 for a 6 to 12 mm diameter cable.

For offshore applications special oil-resistant attachments are available.

### Explosion protection

#### Ex protection type

II 2G EEx edm IIC T6  
II 2D IP 66 T 80 °C

#### Certification

PTB 00 ATEX 1068  
UL E184198

#### Permissible ambient temperature

-55 °C bis +60 °C  
(-20 °C bis +60 °C for zone 21 and 22)

### Technical data

#### Connection

Terminals 2.5 mm<sup>2</sup>

#### PE conductor terminals

4 x 2.5 mm<sup>2</sup>

#### Rated insulation voltage

max. AC 690 V

#### Nominal current

max. 16 A

#### Cable entry

*standard version:*

M 20 x 1.5 for cable Ø 6 to 12 mm

*special versions:*

M 20 x 1.5 for cable with Ø 5 to 9 mm

M 25 x 1.5 for cable with Ø 13 to 18 mm

M 25 x 1.5 for cable with Ø 9 to 16 mm

#### Enclosure

thermoplastics

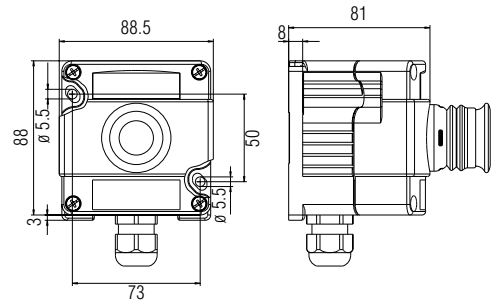
#### Protection class

IP 66/IP 67

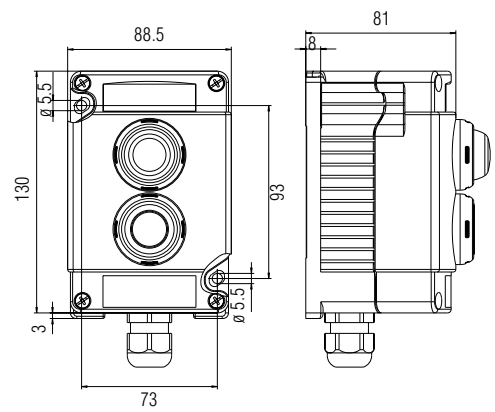


Dimensions fully preassembled units

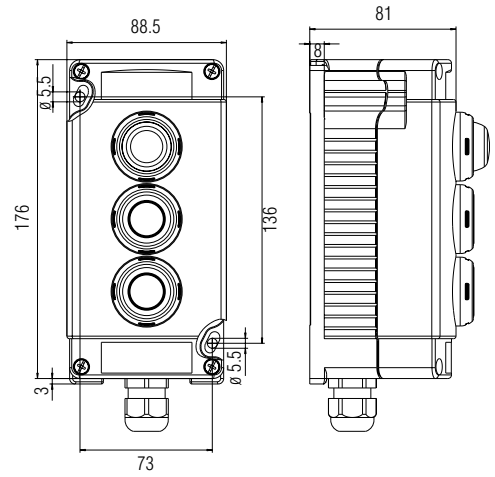
Single unit



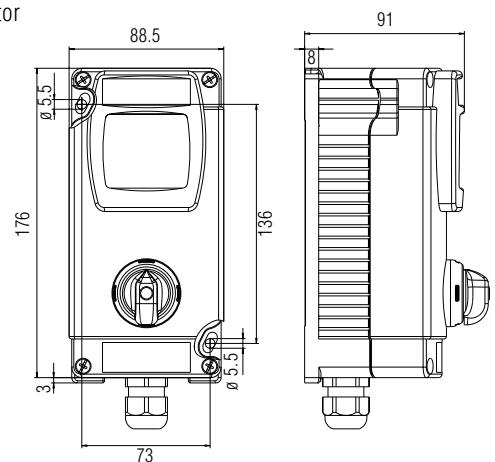
Double unit



Triple unit



Measuring instrument with actuator






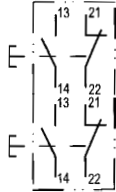

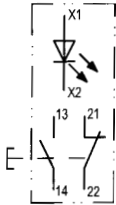

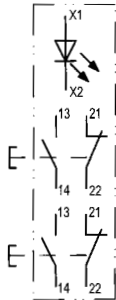

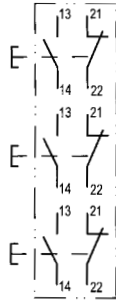

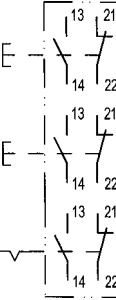
**Selection chart**

Wiring diagram	Description	Weight	➔ Order no.
	<b>1 pushbutton</b> 1 NO + 1 NC incl. labels red, green, yellow, white	0.33 kg	<b>07-3511-10P74</b>
	<b>1 NOT/AUS Emergency Stop</b> 1 NO + 1 NC marked NOT/AUS and Emergency-Stop	0.36 kg	<b>07-3511-10N84</b>
	<b>1 Mushroom Keyswitch</b> 1 NO + 1 NC with key to reset	0.40 kg	<b>07-3511-10K34</b>
	<b>1 Selector switch</b> 1 NO + 1 NC, 2 position with 2 stops 0 and I, latching	0.35 kg	<b>07-3511-10S94</b>
	<b>1 Selector switch</b> 1 NO + 1 NC, 3 position with 3 stops I - 0 - II, latching	0.35 kg	<b>07-3511-10S04</b>
	<b>1 Selector switch</b> 1 NO + 1 NC, 3 position with 3 stops I - 0 - II, touch	0.35 kg	<b>07-3511-10S14</b>
	<b>1 Lamp lens</b> red green yellow white	0.35 kg	<b>07-3511-10LRR</b> <b>07-3511-10LGG</b> <b>07-3511-10LYY</b> <b>07-3511-10LWW</b>
	<b>1 Mushroom Pushbutton, black</b> 1 NO + 1 NC	0.35 kg	<b>07-3511-10P84</b>
	<b>1 Keyswitch</b> 1 NO + 1 NC lockable in both positions	0.40 kg	<b>07-3511-10K04</b>
	<b>1 Keyswitch</b> 1 NO + 1 NC lockable in the pushed-in-position	0.40 kg	<b>07-3511-10K14</b>
	<b>1 Keyswitch</b> 1 NO + 1 NC lockable in the initial position	0.40 kg	<b>07-3511-10K24</b>





Selection chart

Wiring diagram	Description	Weight	Order no.
 	<p><b>2 pushbuttons</b> 1 NO + 1 NC each including key labels</p>	0.50 kg	<b>07-3512-10P74P74</b>
 	<p><b>1 indicator lamp, 1 pushbutton</b> with indicated lamp red green yellow white blue</p> <p>1 NO + 1 NC</p>	0.52 kg	<p><b>07-3512-10LRRP74</b> <b>07-3512-10LGGP74</b> <b>07-3512-10LYYP74</b> <b>07-3512-10LWWP74</b> <b>07-3512-10LBPP74</b></p>
 	<p><b>1 indicator lamp, 2 pushbuttons</b> with indicated lamp red green yellow white</p> <p>1 NO + 1 NC each</p>	0.70 kg	<p><b>07-3513-10LRRP74P74</b> <b>07-3513-10LGGP74P74</b> <b>07-3513-10LYYP74P74</b> <b>07-3513-10LWWP74P74</b></p>
 	<p><b>3 pushbuttons</b> 1 NO + 1 NC each including key labels</p>	0.68 kg	<b>07-3513-10P74P74P74</b>
 	<p><b>2 pushbuttons</b> <b>1 emergency stop button</b> 1 NO + 1 NC each</p>	0.70 kg	<b>07-3513-10P74P74N84</b>