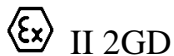


# BARTEC

UNITA' DI COMANDO, CONTROLLO E  
SEGNALAZIONE SERIE CCA... GUB...  
ESECUZIONE EEx d IIC T.. IP66  
ISTRUZIONI DI SICUREZZA,  
USO E MANUTENZIONE

Command, control and signalling units  
Series CCA... GUB...  
Execution EEx d IIC T... IP66  
Safety, maintenance and mounting instruction

IN ACCORDO ALLA DIRETTIVA 94/9/CE  
According to directive 94/9/EC



PRODUCTION LOCATION: KEURMEESTERSTRAAT 17 – NL 2984 BA RIDDERKERK – NETHERLANDS  
TEL. (+31) 180 410588 – FAX. (+31) 180 414134  
<http://www.bartec.nl> – e-mail: [info@bartec.nl](mailto:info@bartec.nl)

#### CONFORMITA' ALLE NORMATIVE STANDARD

##### CUSTODIE CCA... GUB...

COSTRUITE IN ACCORDO ALLE NORMATIVE EN 50014, EN 50018 EN 50281-1-1 ACCORDO ALLA DIRETTIVA 94/9/EC DEL 23 MARZO 1994.



#### ISTRUZIONI DI SICUREZZA

RIVOLTE A PERSONALE QUALIFICATO IN ACCORDO CON LE LEGGI NAZIONALI, INCLUSE LE RELATIVE NORME E, DOVE APPLICABILE, IN ACCORDO CON IEC 79.17 RIGUARDANTE LE APPARECCHIATURE ELETTRICHE PER ATMOSFERE POTENZIALMENTE ESPLOSIVE.

LE CUSTODIE NON DEVONO ESSERE INSTALLATE IN AREA PERICOLOSA ZONA 0.

DEVONO ESSERE RISPETTATI I DATI TECNICI INDICATI SULLE CUSTODIE.

NON SONO AMMESSE MODIFICHE AL PRODOTTO.

LE CUSTODIE POSSONO ESSERE INSTALLATE SOLO SE COMPLETAMENTE INTEGRE.

DEVONO ESSERE UTILIZZATE ESCLUSIVAMENTE PARTI DI RICAMBIO FONDISONZO.

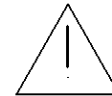
LE OPERAZIONI DI MANUTENZIONE ORDINARIE E STRAORDINARIE DEVONO ESSERE EFFETTUATE SOLO DA ELETTRICISTI QUALIFICATI CON L'APPROVAZIONE DI PERSONALE "ESPERTO".

DEVONO ESSERE STRETTAMENTE OSSERVATE LE NORME NAZIONALI DI SICUREZZA E PREVENZIONE INFORTUNI, E LE PRESCRIZIONI INDICATE CON "△" NEL PRESENTE FASCICOLO TECNICO.

#### CONFORMITY WITH STANDARDS

##### ENCLOSURES CCA... GUB...

Manufactured according to European standards EN 50014, EN 50018 EN 50281-1-1 according to the European Directive 94/9/EC of March 23, 1994.



#### SAFETY INSTRUCTION

For skilled electricians and instructed personnel in accordance with national legislation, including the relevant standards and, where applicable, in accordance with IEC 79.17 on electrical apparatus for explosive atmosphere.

The boxes must not be operated in zone 0 hazardous areas.

The technical data indicated on boxes are to be observed.

Changes of the design and modifications to the equipments are not permitted.

The boxes shall be operated as intended and only in undamaged and perfect condition.

Only genuine FONDISONZO spare parts may be used for replacement.

Repairs may only be carried out by qualified electrician and will subsequently have to be checked by an "expert".

The national safety rules and regulations for prevention of accidents and the following safety instructions which are marked with an "△" in these operating instructions, will have to be observed.

TAB.1 TIPI E CARATTERISTICHE  
Tab.1 types and characteristics

N.CATALOGO catalog number	CCA... GUB... CCA...E CCA...C CCAI...
ESECUZIONE execution	⊕ II 2G D EEx d IIC T5/T6
TEMPERATURA AMBIENTE ambient temperature	-20°C.....+40°C (T6) -20°C.....+55°C (T5)
GRADO DI PROTEZIONE STD. std.protection degree	IP-66
MASSIMO VOLTAGGIO AMMESSO max. voltage allowed	1000 V

#### TABELLE DELLE DIMENSIONI E MASSIME POTENZE DISSIPATE Tables of dimensions and max. output dissipated

CORTEM	FONDISONZO	A	B	C	MAXIMUM OUTPUT IN WATT WITH AMBIENT TEMPERATURE			
					40°C		55°C	
					CLASS T6	CLASS T5	CLASS T6	CLASS T5
CCA	GUB	120	120	116	4	6	3	4
CCAS		120	120	145	6	9	5	6
CCA0	GUB 0	150	150	130	10	16	8	12
CCA01	GUB 01	174	174	139	15	24	13	19
CCA02	GUB 02	230	230	165	32	51	26	39
CCA03	GUB 03	276	276	217	51	74	37	55
CCA04	GUB 04	430	430	290	112	197	84	150

CORTEM	FONDISONZO	A	B	C	MAXIMUM OUTPUT DISSIPATED IN WATT WITH AMBIENT TEMPERATURE OF 40°C			MAXIMUM OUTPUT DISSIPATED IN WATT WITH AMBIENT TEMPERATURE OF 55°C		
					CLASS T6 WITHOUT SIGNALLING LAMPS, ONLY SIGNALLING LED ARE ALLOWED	CLASS T5 WITH SIGNALLING LAMPS AND/OR SIGNALLING LED	CLASS T5 WITHOUT SIGNALLING LAMPS, ONLY SIGNALLING LED ARE ALLOWED	CLASS T6 WITHOUT SIGNALLING LAMPS, ONLY SIGNALLING LED ARE ALLOWED	CLASS T5 WITH SIGNALLING LAMPS AND/OR SIGNALLING LED	CLASS T5 WITHOUT SIGNALLING LAMPS, ONLY SIGNALLING LED ARE ALLOWED
CCA - 0E	CCA - 0E	128	128	125	8	9	13	6	7	9
CCA - 01E	CCA - 01E	145	145	128	11	12	17	9	10	13
CCA - 02E	CCA - 02E	195	195	150	23	25	36	20	22	28
CCA - 03E	CCA - 03E	240	240	210	40	44	58	29	32	43
CCA - 04E	CCA - 04E	385	385	275	93	100	164	70	77	125

CORTEM	FONDISONZO	A	B	C	MAXIMUM OUTPUT DISSIPATED IN WATT WITH AMBIENT TEMPERATURE OF 40°C			MAXIMUM OUTPUT DISSIPATED IN WATT WITH AMBIENT TEMPERATURE OF 55°C		
					CLASS T6 WITHOUT SIGNALLING LAMPS, ONLY SIGNALLING LED ARE ALLOWED	CLASS T5 WITH SIGNALLING LAMPS AND/OR SIGNALLING LED	CLASS T5 WITHOUT SIGNALLING LAMPS, ONLY SIGNALLING LED ARE ALLOWED	CLASS T6 WITHOUT SIGNALLING LAMPS, ONLY SIGNALLING LED ARE ALLOWED	CLASS T5 WITH SIGNALLING LAMPS AND/OR SIGNALLING LED	CLASS T5 WITHOUT SIGNALLING LAMPS, ONLY SIGNALLING LED ARE ALLOWED
CCA - 0 C	CCA - 0 C	128	128	142	8	9	13	6	7	9
CCA - 01C	CCA - 01C	145	145	141	11	12	17	9	10	13
CCA - 02C	CCA - 02C	195	195	166	23	25	36	20	22	28
CCA - 03C	CCA - 03C	240	240	223	40	44	58	29	32	43
CCA - 04C	CCA - 04C	385	385	261	93	100	164	70	77	125

CODICE code	A	B	C	MAXIMUM OUTPUT DISSIPATED IN WATT WITH AMBIENT TEMPERATURE OF 40°C			MAXIMUM OUTPUT DISSIPATED IN WATT WITH AMBIENT TEMPERATURE OF 55°C		
				CLASS T6 WITHOUT SIGNALLING LAMPS, ONLY SIGNALLING LED ARE ALLOWED	CLASS T5 WITH SIGNALLING LAMPS AND/OR SIGNALLING LED	CLASS T5 WITHOUT SIGNALLING LAMPS, ONLY SIGNALLING LED ARE ALLOWED	CLASS T6 WITHOUT SIGNALLING LAMPS, ONLY SIGNALLING LED ARE ALLOWED	CLASS T5 WITH SIGNALLING LAMPS AND/OR SIGNALLING LED	CLASS T5 WITHOUT SIGNALLING LAMPS, ONLY SIGNALLING LED ARE ALLOWED
CCAI - 2020	200	200	200	30	35	42	25	27	34
CCAI - 3020	300	300	200	50	54	68	39	42	53
CCAI - 3030	300	300	300	80	85	120	60	65	100
CCAI - 4030	400	400	300	105	112	170	90	100	140

#### TABELLA DELLE CARATTERISTICHE ELETTRICHE DEI COMPONENTI INTERNI

Table of electrical characteristics for equipment mounted inside the box



TYPE OF EQUIPMENT	V MAX ( VOLT )	I MAX ( AMPERE )	MAX OUTPUT DISSIPATED ( WATT )
ANALOGIC DIGITAL INSTRUMENT	660	5	10
ELECTRONIC GEARCASE	400	-	10
PLC, MULTIPLEXER AND AMPLIFIER	240	-	80
CONTROL AND GAUGING DEVICE	240	-	100
AUTOMATIC BREAKERS	660	400	-
FUSES	660	400	-
AIR THERMAL RELAYS	500	10	12
ELECTRONIC CONTROL DEVICE	660	-	100
AIR CONTACTORS	660	400	30
SEQUENCE TIMER	240	10	5
PHOTOELECTRICAL CELL	240	-	2
CAPACITORS	660	-	-
TRASFORMERS	660	-	200
RESISTORS	220	-	300
TERMINALS	660	-	-
BALLASTS	220	7.5	40

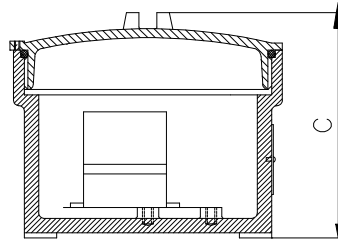
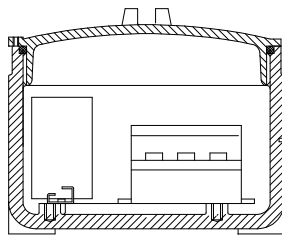
PER LE ENTRATE CON CAVO FLESSIBILE O CON TUBO RIGIDO USARE SOLO ACCESSORI CERTIFICATI IN ACCORDO ALLE NORMATIVE EN 50014 EN 50018. LA SCELTA DEI TIPI DI ACCESSORI DA USARE PER GLI INGRESSI E' FATTA IN ACCORDO ALLA NORMA EN60079-14.

For cable entries, only certified cable glands or stopping boxes according to EN 50014 EN 50018, are allowed. The types of accessories used for cable entries are made in accordance to EN60079-14.

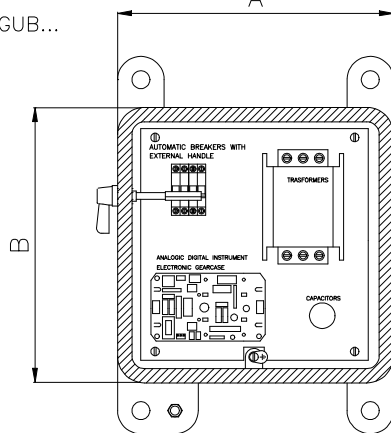
LA DISTANZA MINIMA TRA GLI INGRESSI E' STABILITA DAL COSTRUTTORE DELLE CUSTODIE IN ACCORDO AL CERTIFICATO CESI 02 ATEX 020 U.

The minimum distance between entries is foreseen by housing manufacturer according to CESI 02 ATEX 020 U certificate.

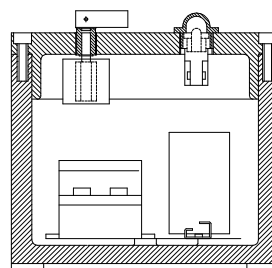
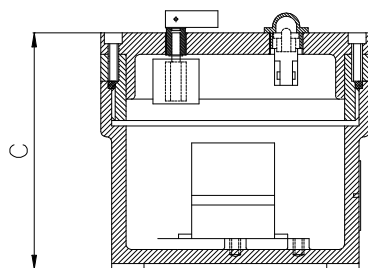
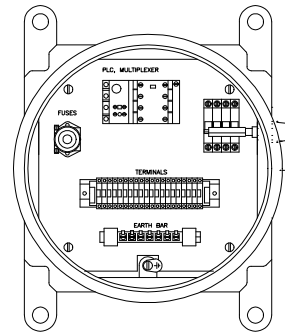
ESEMPIO DI TIPICA DISPOSIZIONE DI ACCESSORI INTERNI/ESTERNI NELLE CUSTODIE  
Example of typical disposition of internal/external equipment on boxes



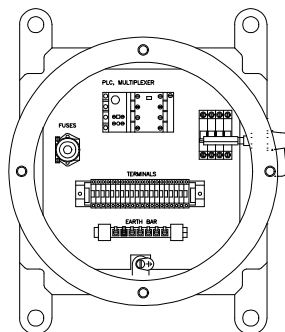
CCA... GUB...  
models



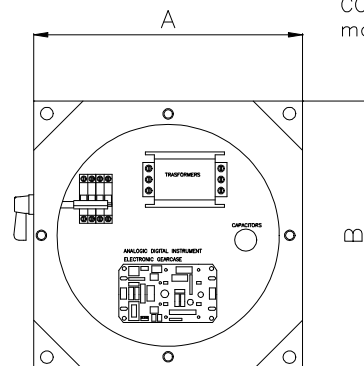
CCA... E  
model



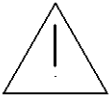
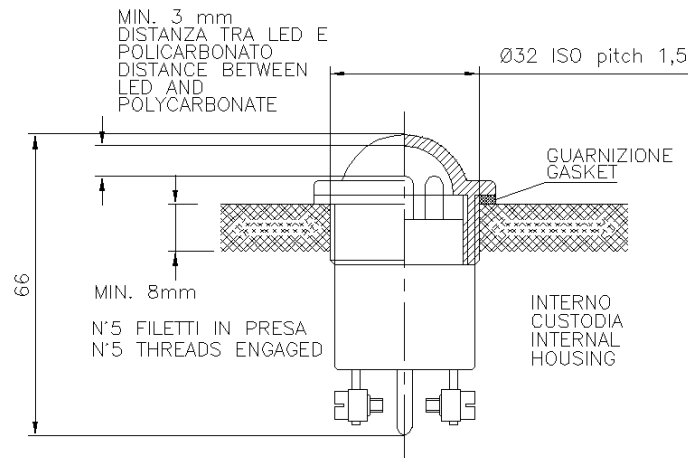
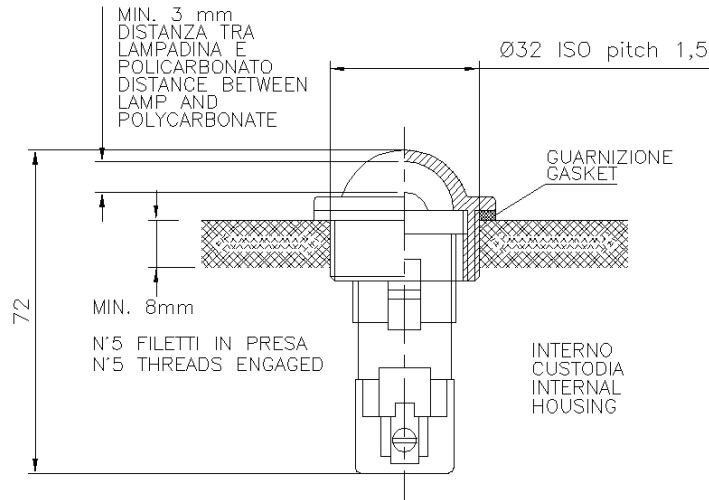
CCA... C  
model



CCA...  
model



ISTRUZIONI DI MONTAGGIO PER LAMPADE E LED DI SEGNALAZIONE PL/.. CESI 02 ATEX 002 U  
Mounting instructions for signalling lamps and led PL/.. CESI 02 ATEX 002 U



TUTTI I CABLAGGI ALL'INTERNO DELLE CASSETTE DEVONO ESSERE FATTI RISPETTANDO LE CARATTERISTICHE DEI COMPONENTI, I CAVI DEVONO ESSERE COMPLETI DI PUNTALINO/CAPOCORDA E BLOCCATI LUNGO IL LORO PERCORSO.

Cables wiring to the internal of boxes respected the technical characteristics indicated on equipment. The cables must be complete of crimping lugs and locked at the internal box.

